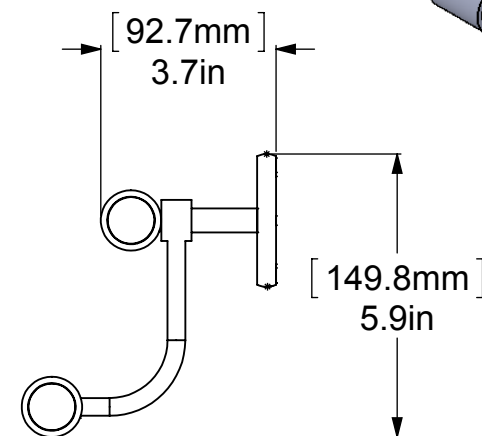
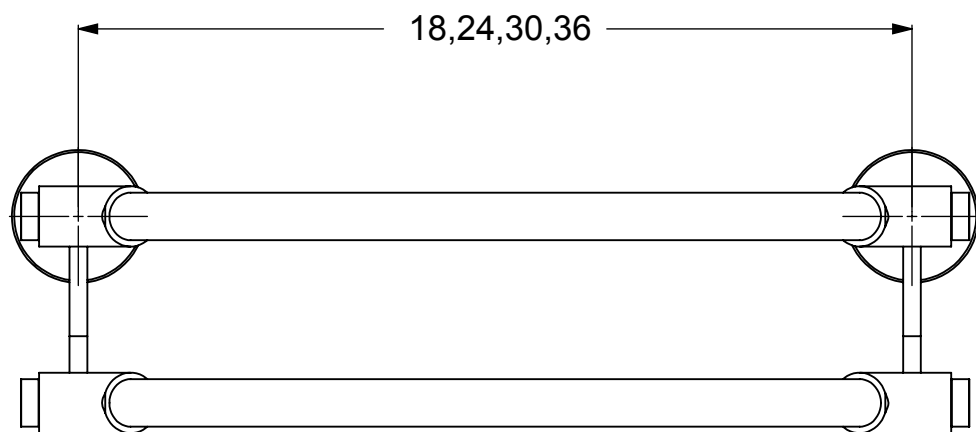
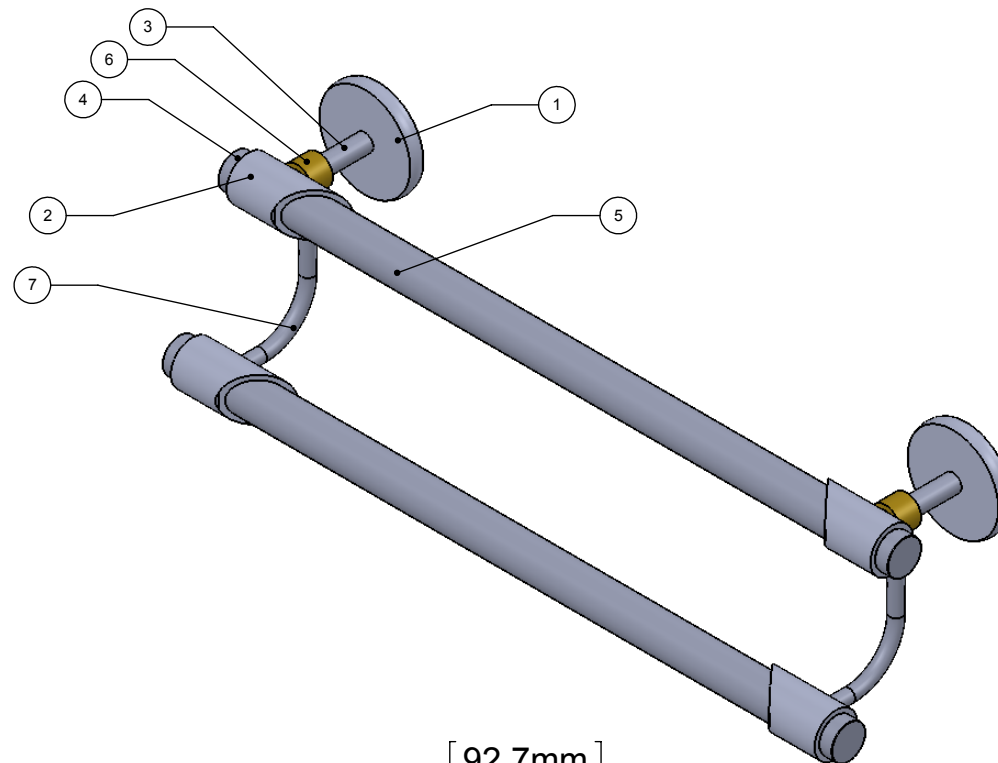


ITEM NO.	P/N	Description	QTY.
1	BPRD	BACKPLATE	2
2	BKSVT	SUPPORT	4
3	TU12-2	TUBE	2
4	CARD-1	CAP	2
5	TU34	BAR	2
6	HBTTT-78	HUB	2
7	HKTT	CONNECTOR	2



UNLESS OTHERWISE STATED

.X	$\pm .3\text{mm}$
.XX	$\pm .15\text{mm}$
.XXX	$\pm .008\text{mm}$

COPYRIGHT © Allied Brass 2016



THIRD ANGLE PROJECTION

DRAWN	2-18-17	I.M
CHECKED	2-18-17	P.D
APPROVED	2-18-17	R.A

MATERIAL:	BRASS		FINISH	TBD
DESCRIPTION:	TOWEL BAR		QUANTITY	TBD
			DRAWING No.	REV
			TR-72	
			SCALE	1:4